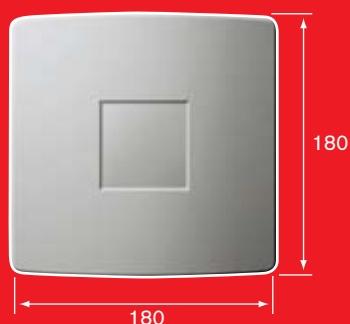


CV100SV

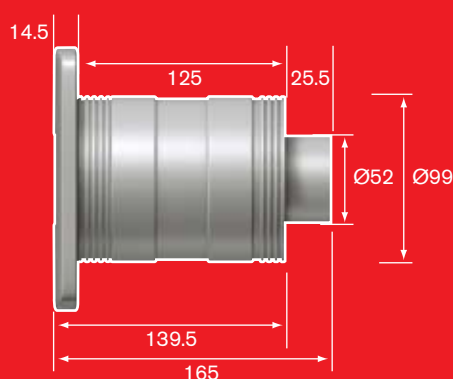
SELV constant volume continuously running extract fan

Physical specification

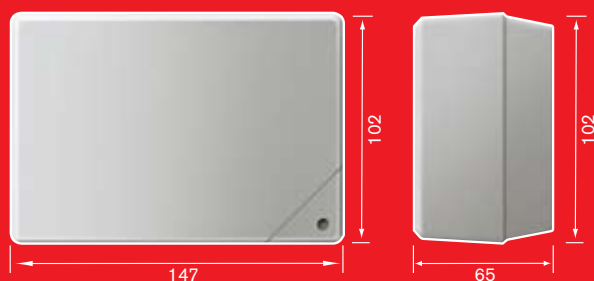
All measurements in millimetres.



Front



Side



Transformer

Weight: 1 kg
Materials: White gloss finish.
ABS plastic manufacture.

Features

Top of the energy class

SAP Appendix Q eligible which will help reduce DER's (dwelling emission rates) in SAP. Also suitable to help achieve Level 3 and above of the Code for Sustainable Homes.

Low voltage

SELV Safety Extra Low Voltage 12V model.

The one and only...

decentralised MEV system with BBA certification available in the domestic market. Simple and easy to apply in existing designs with individual room fans.

Just 2 watts

Significantly low energy consumption makes Unity an energy savvy choice.

All for one and one for all

One fan, any room, all installations, simply the only fan you need to design in and specify.

Just one window vent

No need for loads of window vents now required with intermittent fans – just one per habitable room (2,500mm² equivalent area).

Shhhh...

Silent ventilation with no risk of noise and complete comfort for homeowners.

It does what it says on the box

Intelligent design features constant volume sensor which alters speed with any pressure changes always – guaranteeing building ventilation requirements.

Hide and seek

Stylish and discreet front fascia blends in with room décor – no more need for an eyesore on the wall.

UK's first carbon neutral fan

Just another one of our commitments to reducing carbon emissions.

From inside to out

Extremely low energy EC motor, patented technology, H&V domestic product of the year finalist 2007.

Controls

Model	Operation	IP	Voltage
CV100SV	SELV continuously running constant volume fan with wired boost option	24	12

Installation

Wiring: Must comply with IEE Regulations, see wiring diagrams on pages 073.

Installation: Diagrams, see pages 072.

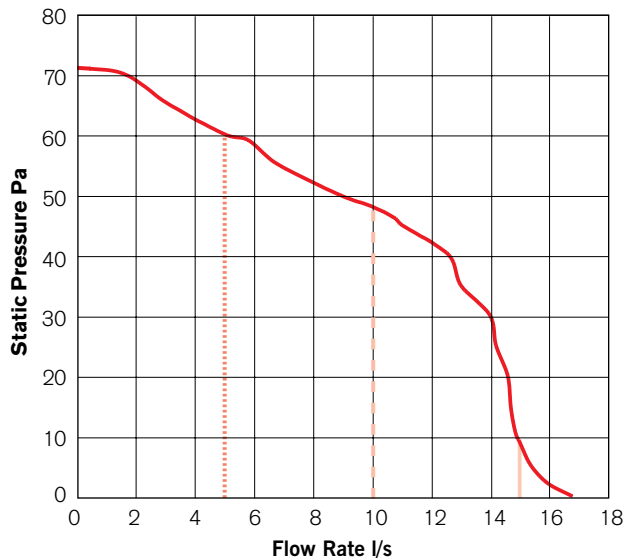
Cable: 1mm² Ø max.

Fuse: 3 amp normally required (when fan is supplied from a 6A lighting circuit no local fuse is required).

Exhaust: Ø 100mm.

Performance

Model	Airflow Performance (l/s)			Energy Consumption Watts				Sound Pressure level @ 3m dB(A)	
	Constant High	Constant Low	Boost	Constant High	Constant Low	Boost	Maximum	Constant Low	Boost
CV100	10	5	15	2.1	1.5	4.6	5.5	10	14



CV100SV — Constant Low — Constant High — Intermittent Boost — Boost

Electrical Specification: 230V~50Hz Class II
Consumption: 5.5W max
 (1.5w @ 5l/s, 2.1w @ 10l/s & 4.6w @ 15l/s)

Specification



2 YEAR GUARANTEE



Carbon cutting technology – look out for the labels

This product will help you reduce your DER points in SAP



You get rewards in SAP by reducing your DER (dwelling emission rate) when using this product.

Basically you use the product performance information instead of the default information and you reap the energy rewards.

www.sap-appendixq.org.uk



Life is simple when you understand what energy benefits you get when you choose a more efficient product, so here they are:

80%* energy usage, **£8.56*** on electric bill, **80kg CO₂*** saving to environment.

*all based on continuously running at low speed and 1.5hrs on boost, against standard market alternative.



Yes, this product is completely carbon neutral.

We know we can't avoid putting greenhouse gases into the atmosphere, so we have been responsible and reduced them by equal amounts by committing to carbon offset projects.

Read more at www.greenwood.co.uk

Ancillaries



ED1 Easyfix 100mm ducting plastic wall liner with integral screw-fixing channels for one visit installation (page 145).



EG1 Complementary fixed blade louvred grille in semi-matt ABS plastic, UV stabilised. Choice of white or brown grille (page 148).



WS100 Ceiling / wall spacer for CV100 (page 071).



EWS100 Window fixing kit - white CV100 fans (page 070).



PFA100 Picture frame adaptor for CV100 (page 070).



GDAC90 Rigid 90 degree bend for CV100 ceiling installations (page 141).



SP13 PVC round pipe 100mm Ø x 350mm (page 139).



GD8 Modular light weight PVC ducting system (page 141).



GG42 External louvred wall vent available in white or brown (page 140).



Flexiduct Flexible 100mm PVC and aluminium ducting (page 146).

