

Halo Range Shower Fan & Light Kit (125mm)

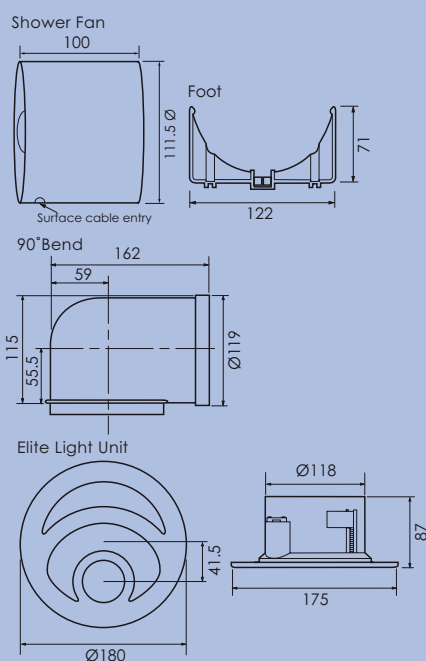


Basic and timer options
 90° bend included for installing between joists in ceiling voids
 Both light fitting and fan are IP44 rated
 12V (SELV) lamp
 Chrome grille option available (HCBC)

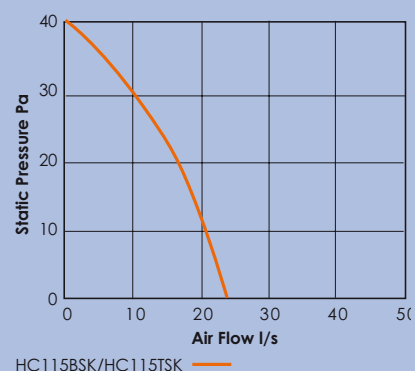
Physical Specifications

Weight: 0.92kg.
Material: ABS white plastic.
Ceiling Fixing Hole: 145mm diameter.

Dimensions



Performance Graph



Electrical Specifications

Shower Fan: 230V~50Hz class II
Consumption: 23W.
12V Light: 12V~50Hz class II
Lamp: 12V diachronic lamp rated at 20W, 36° beam angle. GE Lighting Type: M269.
Consumption: 20W (SELV).
Cabling: 1mm² max.

Data Table

	Performance to BS 848 Pt1 in free air m ³ /h ¹	Sound Pressure level @ 3m l.s ⁻¹ dB(A)	IP Rating	Operation	Features
HC115BBK	85	24*	42.4	44	Single speed. Kit comprising basic induct fan, internal grille with 12V light unit, LV light transformer, 90° bend, 3 metres of Flexiduct, 4 fixing clips, outlet grille and fixing screws.
HC115TBK	85	24*	42.4	44	Single speed. Kit comprising induct fan with adjustable timer, internal grille with 12V light unit, LV light transformer, 90° bend, 3 metres of Flexiduct, 4 fixing clips, outlet grille and fixing screws.

* Fitted with 3m of flexible ducting.