

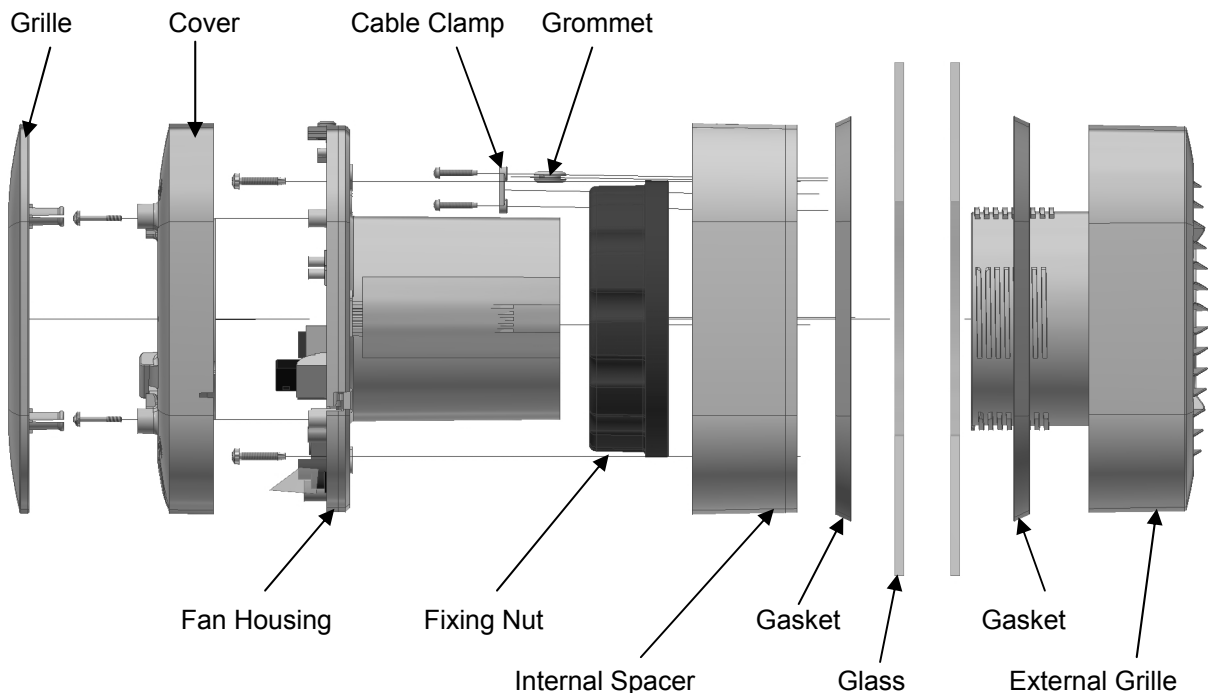
Vent-Axia®

Window kit fitting instructions.

To suit window kit 407927 (RESPONSE)

This kit can accommodate glazing holes of between Ø110mm and Ø140mm. We recommend a Ø115mm hole. Glazing thicknesses of between 12mm and 28mm can be accommodated.

1. Break out the blank in the top of the internal spacer to create a Ø10mm hole.
2. Fit the supplied grommet in the hole.
3. Check that the gaskets are fitted correctly to the Spacer and External Grille.
4. From the outside, push the spigot of the external grille through the hole in the glass, making sure the grille is the correct way up.
5. From the inside, offer the internal spacer up to the spigot of the external assembly, making sure the cable clamp is at the top, and screw the Fixing Nut up until it is done up tight.
6. Fit your power cable through the grommet and secure it using the cable clamp provided.
7. Remove the front cover of the fan and offer it in to position.
8. Bring the end of the power cable through the hole in the back of the fan.
9. Screw the fan to the window kit using the fixing screws supplied with this kit.
10. Make your electrical connections following the fan's instructions.
11. Replace the cover & grille.



Head Office: Fleming Way, Crawley, West Sussex, RH10 9YX. Tel: 01293 526062 Fax: 01293 551188

UK NATIONAL CALL CENTRE, Newton Road, Crawley, West Sussex, RH10 9JA

SALES ENQUIRIES: Tel: 0844 8560590 Fax: 01293 565169

TECHNICAL SUPPORT: Tel: 0844 8560594 Fax: 01293 539209

Web:-www.vent-axia.com

Email:- info@vent-axia.com

As part of the policy of continuous product improvement Vent-Axia reserves the right to alter specifications without notice.